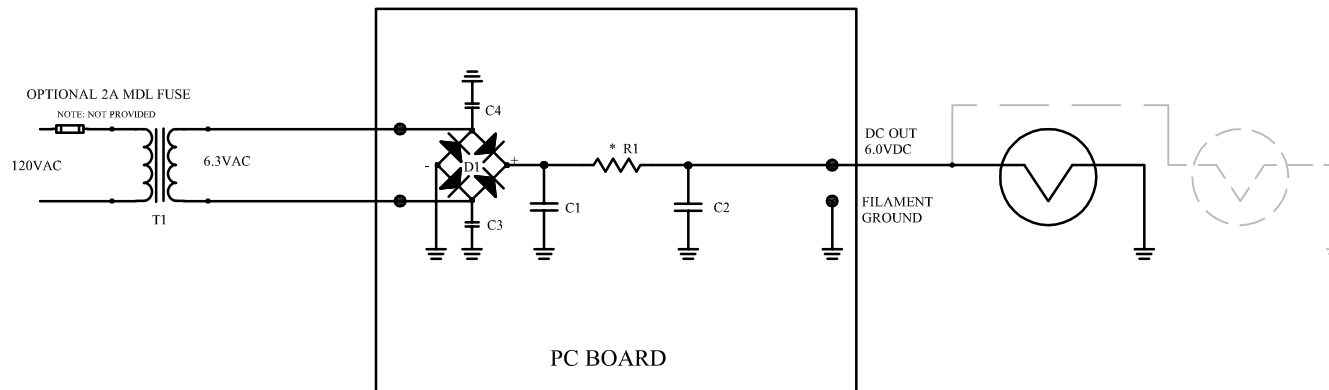


## DC FILAMENT SCHEMATIC



**DC FILAMENT  
CIRCUIT**

DATE: 2-15-10

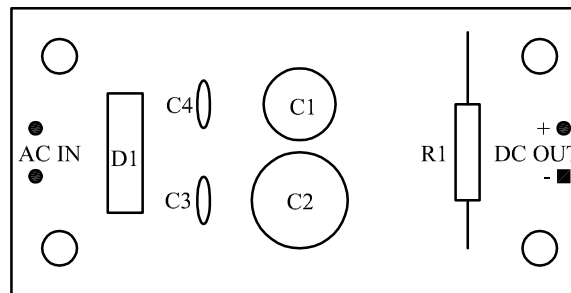
DRAWN BY:  N1PS

**N1PS**

### COMPONENTS LIST

- T1 115/6.3-2A
- D1 BRIDGE RECTIFIER, 100 VPIV, 2A
- C1 1000 uF 16V
- C2 4700 uF 16V
- C3, C4 .001 uF 100 V
- R1-A 1.5 OHM, 2W (750 MA)
- R1-B 3.3 OHM, 2W (600 MA)
- R1-B 15 OHM, 2 W (300 MA)
- PCB

6.0 VDC OUTPUT IS BASED ON AC INPUT OF 120VAC.  
AN AC INPUT OF MORE OR LESS THAN 120.0 VAC WILL  
RESULT IN A SLIGHT CHANGE IN THE OUTPUT.



### CIRCUIT BOARD LAYOUT

\* NOTE: RESISTOR VALUE DEPENDS ON TUBE(S) LOAD.  
CIRCUIT IS DESIGNED TO SUPPORT 1.5A DC MAXIMUM.